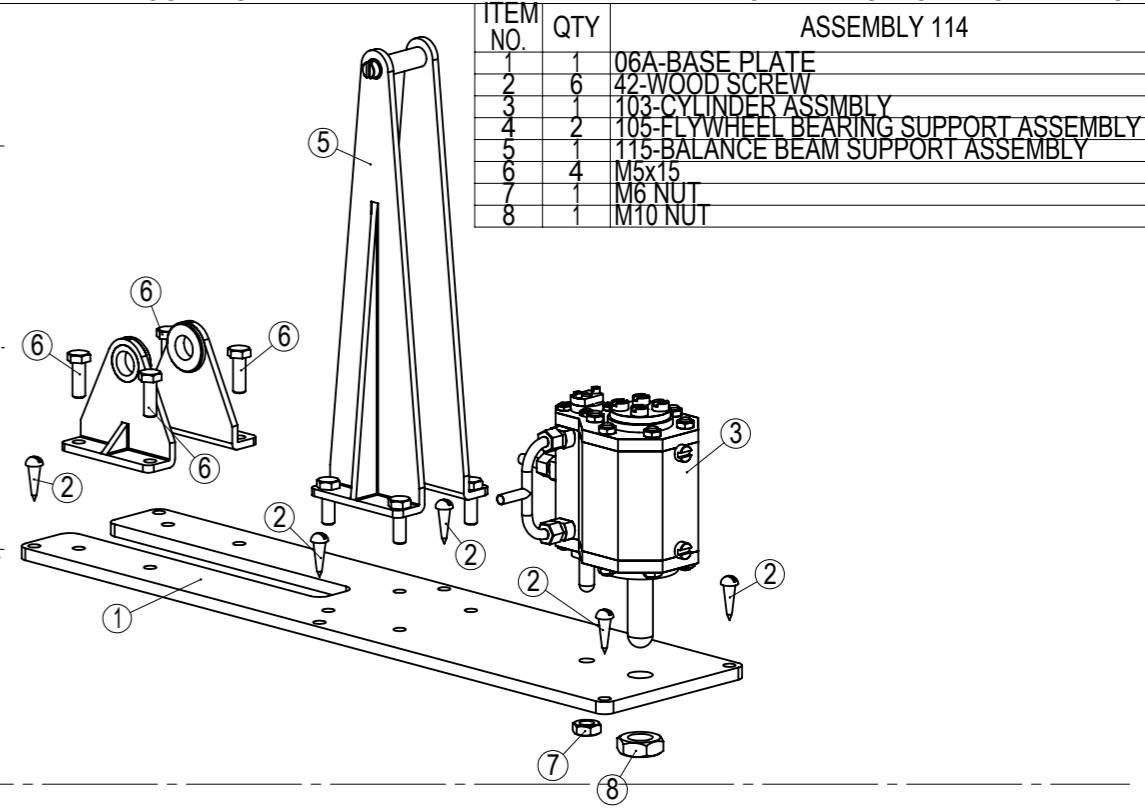
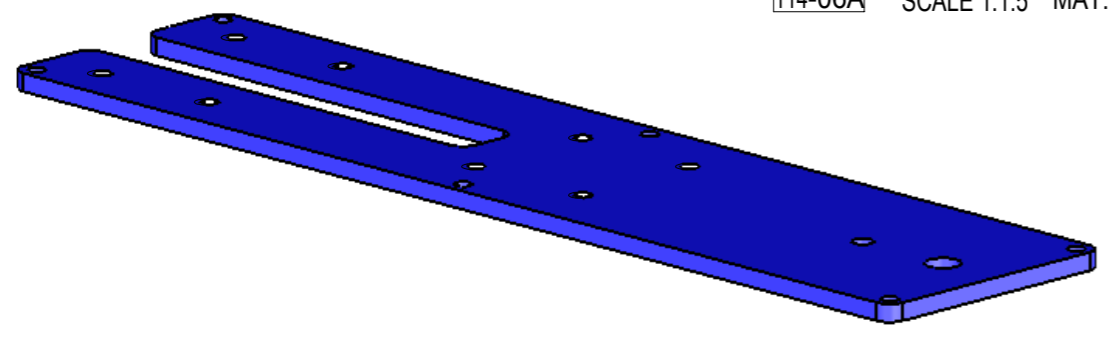
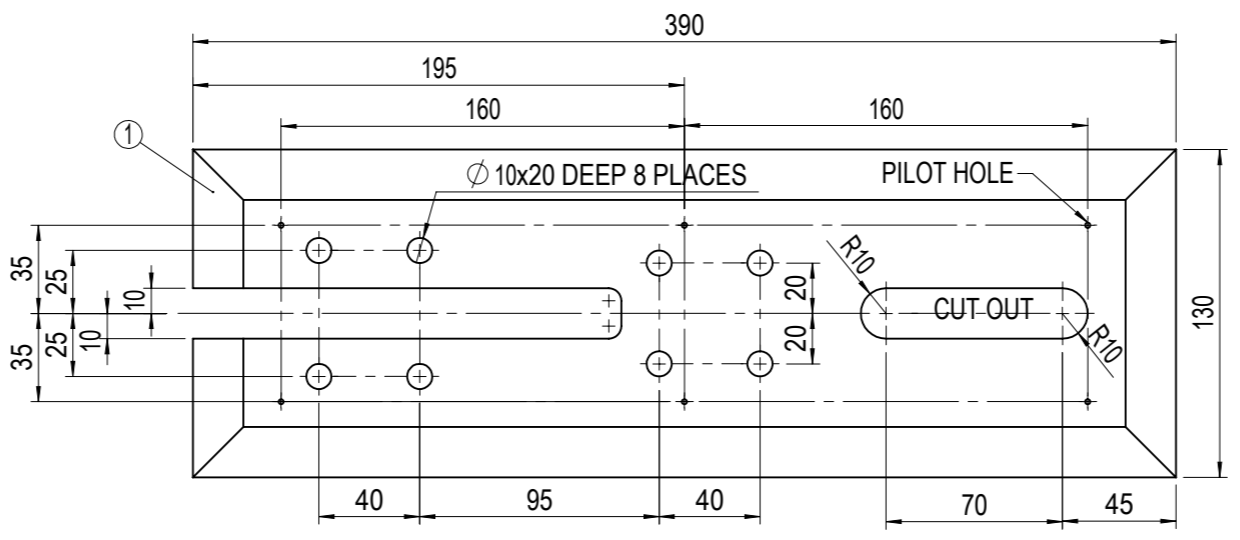
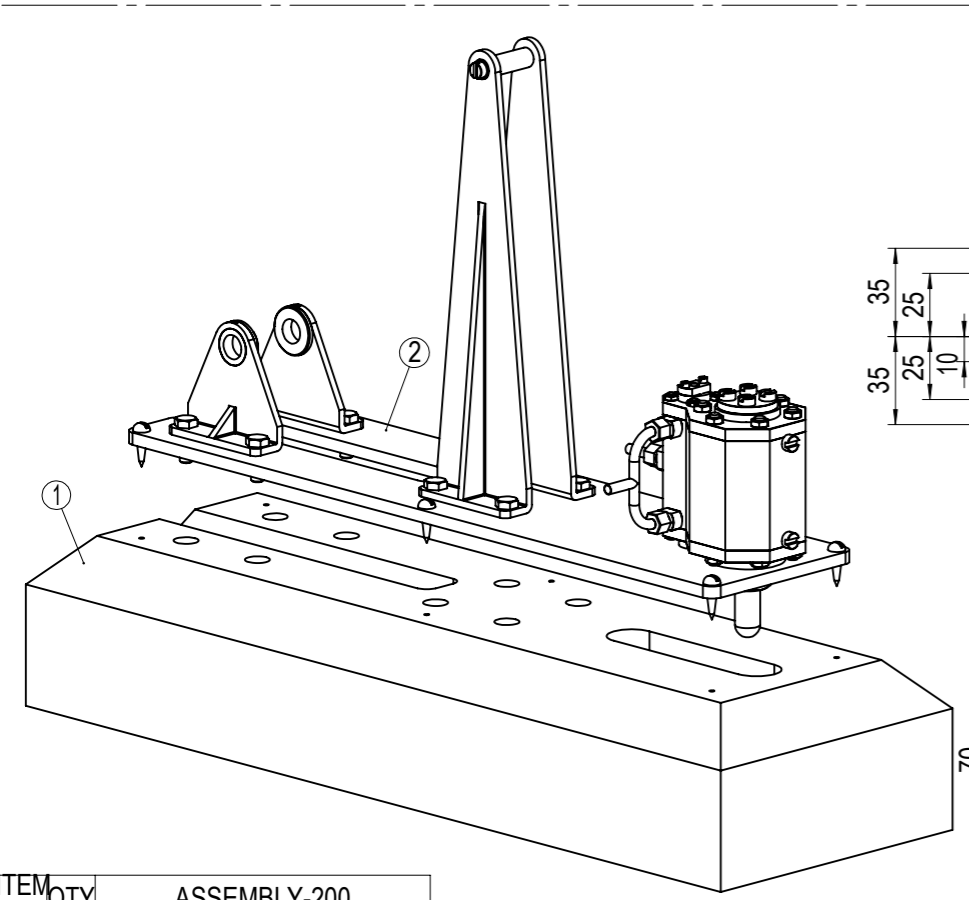


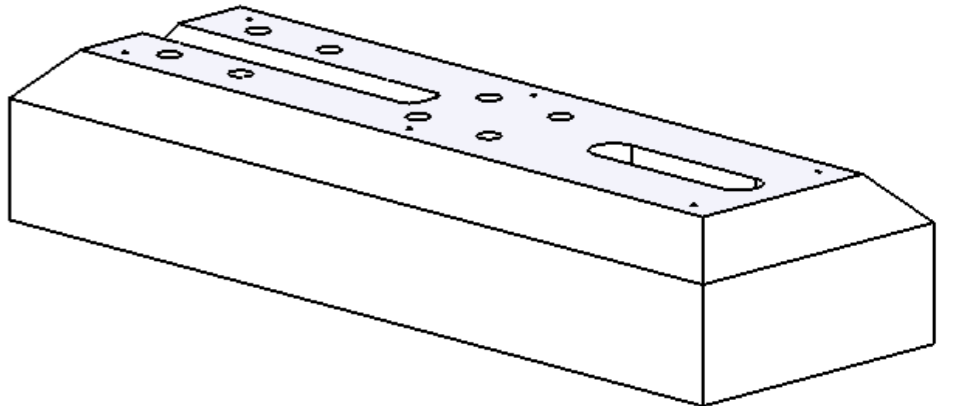
114-06A SCALE 1:1.5 MAT: M/STEEL 5mm THICK



ASSEMBLY 114		
ITEM NO.	QTY	
1	1	06A-BASE PLATE
2	6	42-WOOD SCREW
3	1	103-CYLINDER ASSEMBLY
4	2	105-FLYWHEEL BEARING SUPPORT ASSEMBLY
5	1	115-BALANCE BEAM SUPPORT ASSEMBLY
6	4	M5x15
7	1	M6 NUT
8	1	M10 NUT



200-07 SCALE 1:3 MAT: WOOD



ASSEMBLY-200		
ITEM NO.	QTY	
1	1	07-BASE
2	1	114-BASE PLATE ASSEMBLY

**SINGLE CYLINDER BALANCE BEAM STEAM ENGINE WITH CYLINDRICAL VALVE ASSEMBLIES AND PARTS**

B	ISSUED TO NVM	JUNE 2009
A	ISSUED FOR CONSTRUCTION	12/2006
REV	DESCRIPTION	DATE

JDW DRAUGHTING SERVICES 12 BRIGHTWELL STREET PAKAKURA NEW ZEALAND TEL/FAX 0064-09-2988815 E-MAIL:dewaal@xtra.co.nz	DRAWN BY J.A.M. DE WAAL	PROJECTION 	DRAWING NUMBER 10BSE-005	SHEET B
DATE OCT-2006	SCALE 1:1 or AS SHOWN	CAD FILE	REV	B

IF NOT STATED ALL CHAMFERS ARE 0.2mmx45°