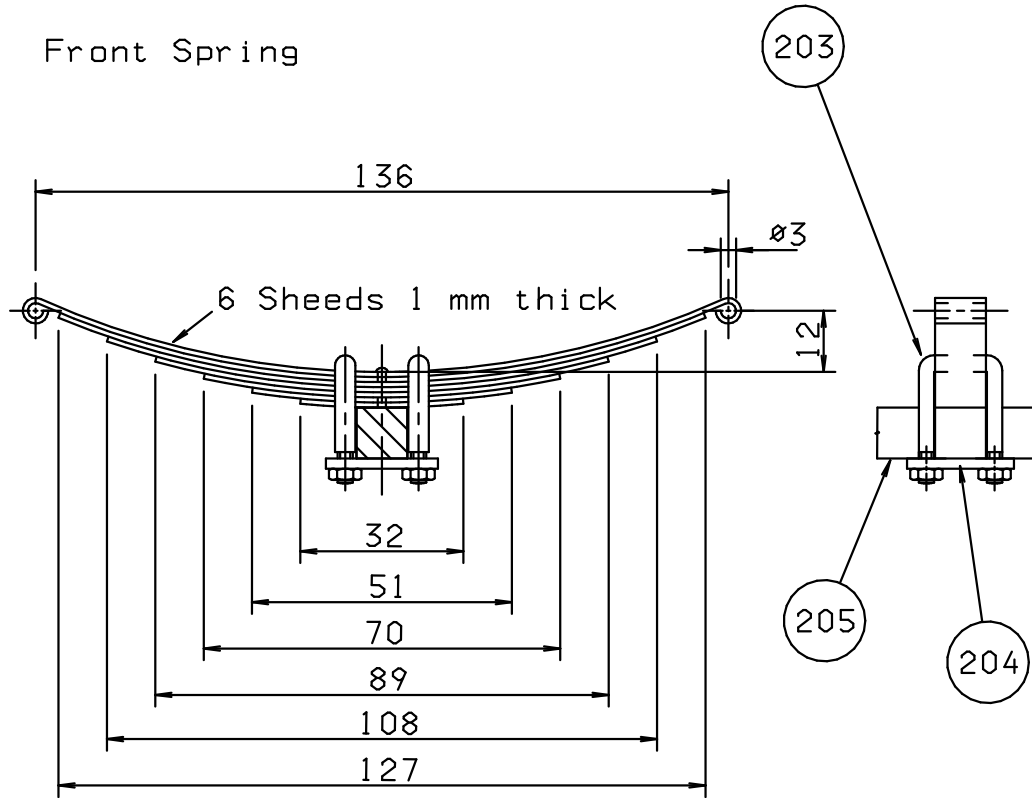
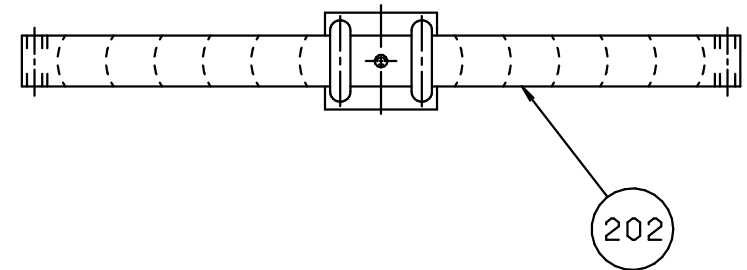
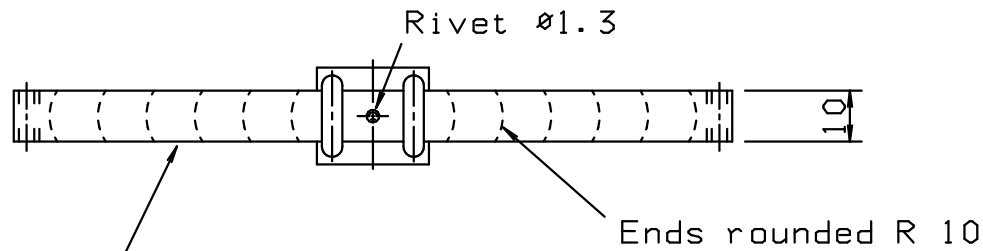
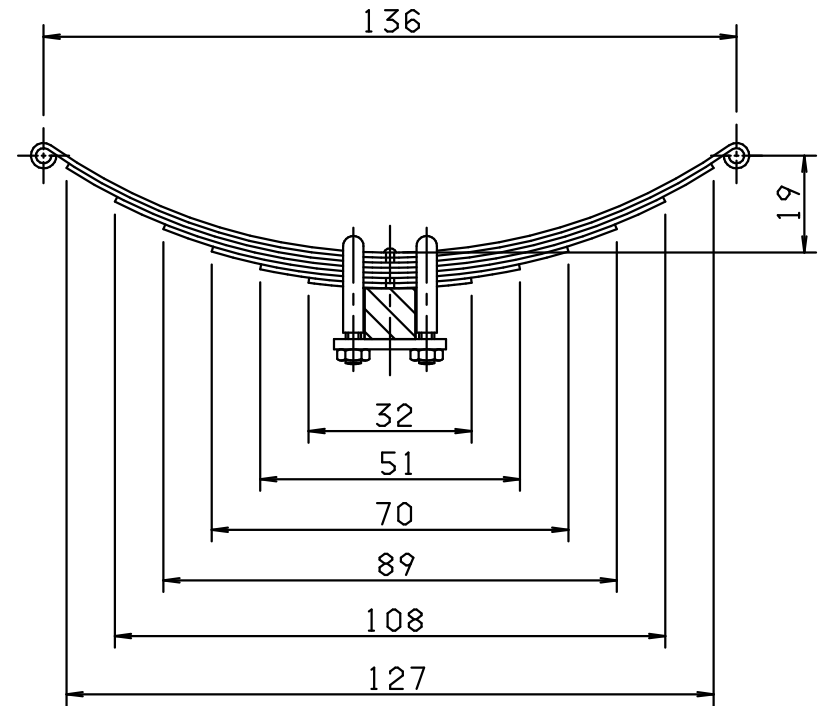


Front Spring



Rear Spring



All dimensions are identical for the front and rear spring except for the settlement (12 or 19 mm)

© Guenter Kallies 22523 Hamburg Goldregenweg 1c	
Titel:	Shand & Mason Steam Fire Engine
Autentik:	Spring
Zeichn.Nr.:	002 - 02-A
IBM/ALTEUM MICRO CADDM	CAD File Name Federn 01
	Masstab: 1 : 1