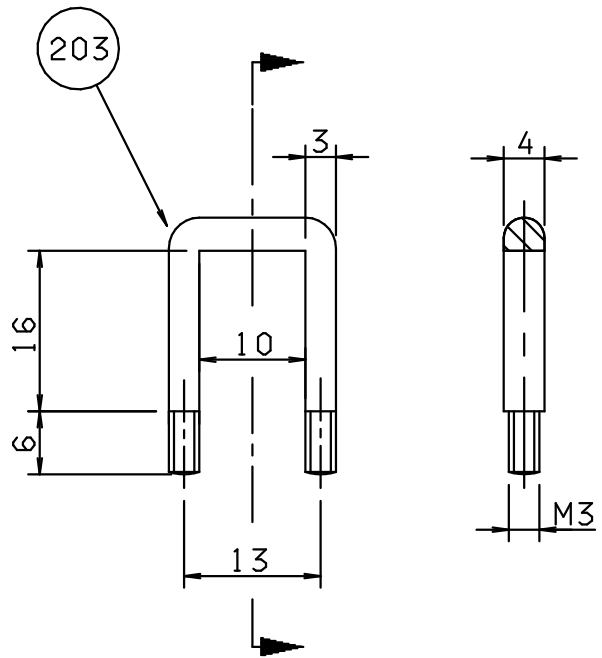
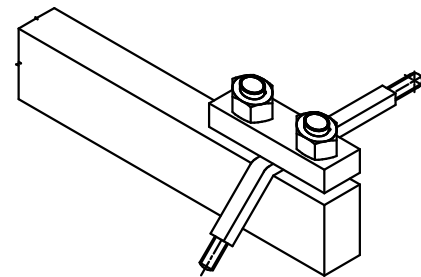
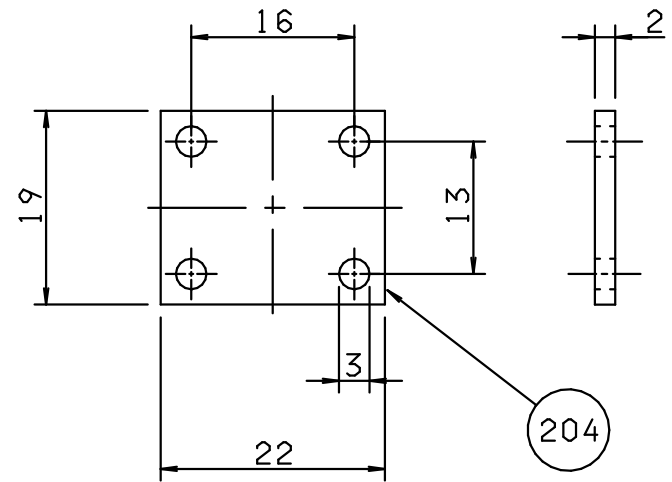


Scale 2:1



Scale 2:1



Bending Jig

© Guenter Kallies 22523 Hamburg Goldregenweg 1c	
File: Shand & Mason Steam Fire Engine	IBM/ALTECH MICRO CADMM
Part: Axels & Accessories	CAD File Name Federn 02
Zeichn. Nr.: 002 - 02-B	Maßstab: 1:1 (2:1)